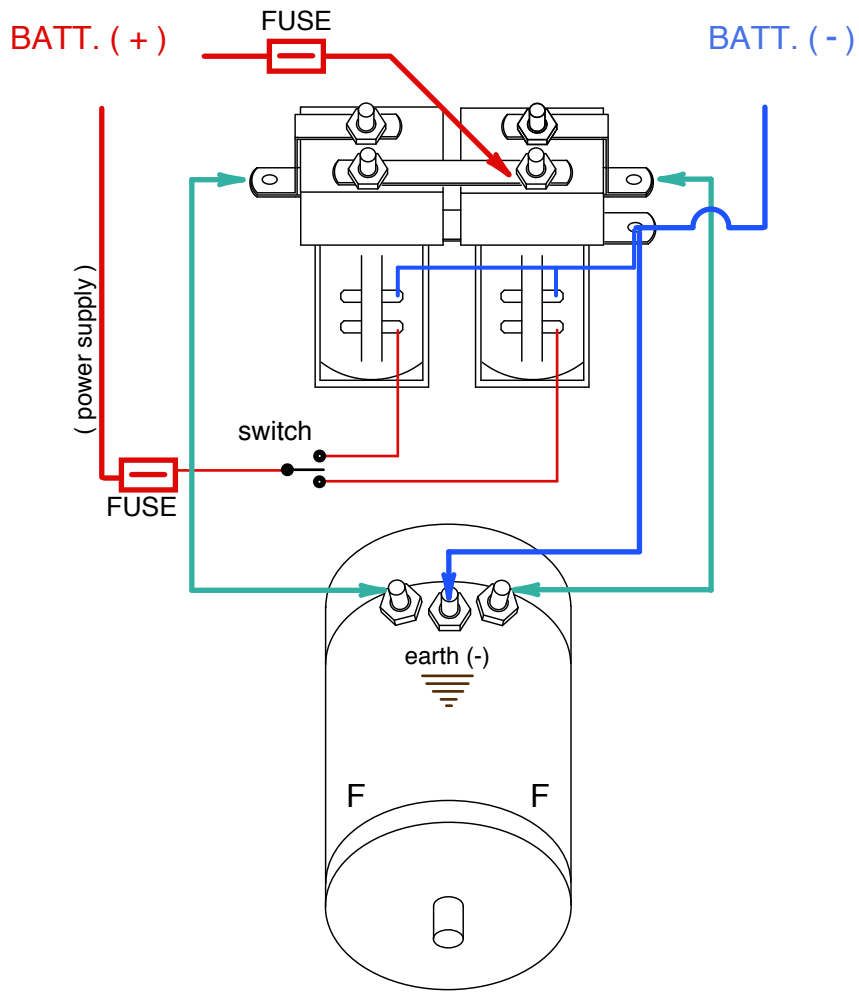
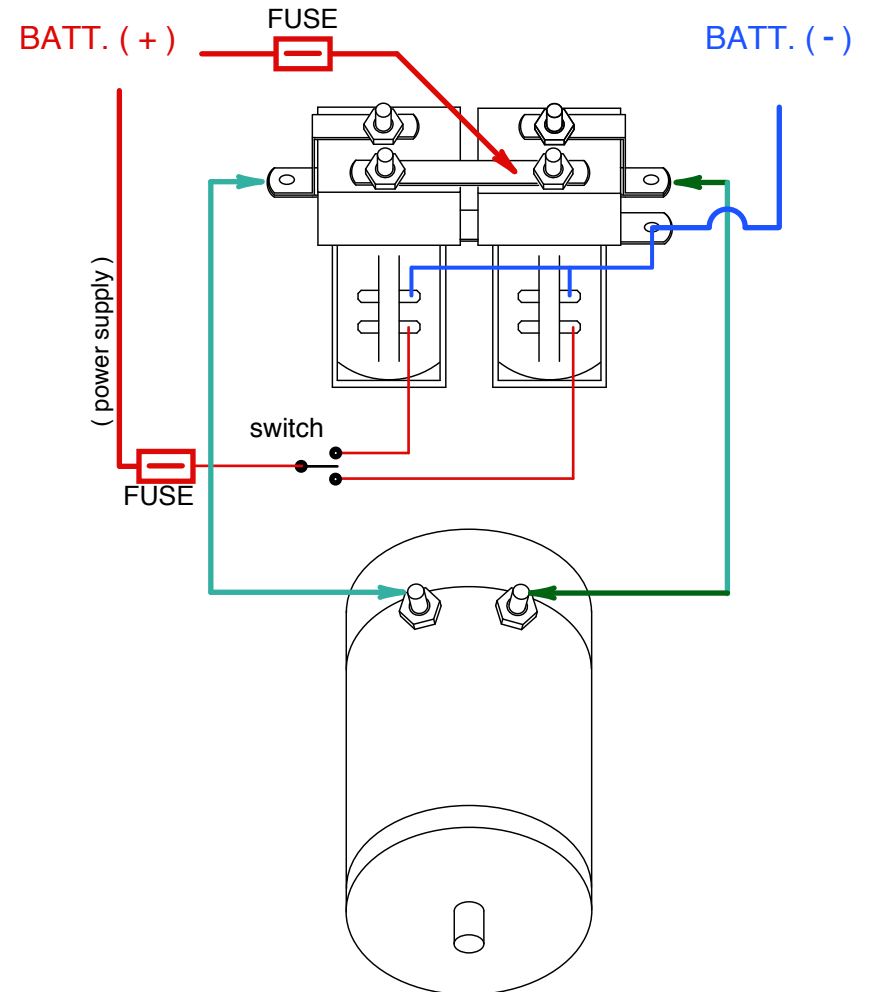


Connection diagram SW(DC)182 Albright between :  
3 Clamps field-coil and Permanent Magnet motors



*3 Clamps Motor*



*Permanent Magnet*