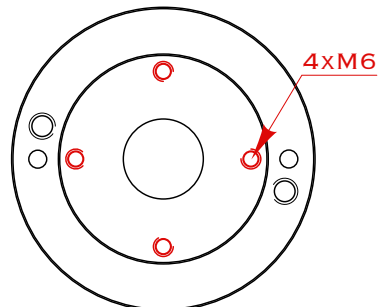
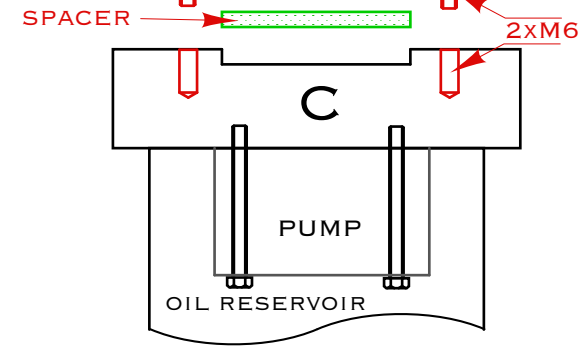
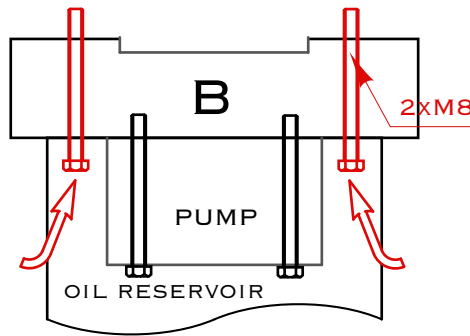
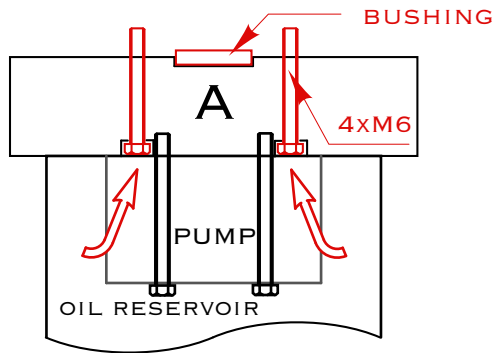
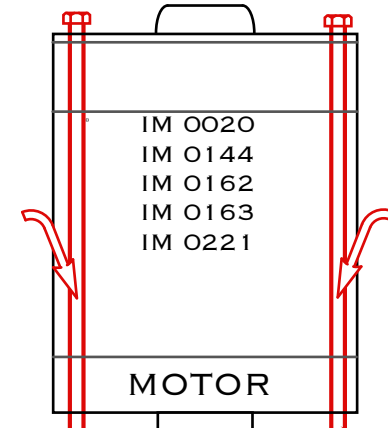
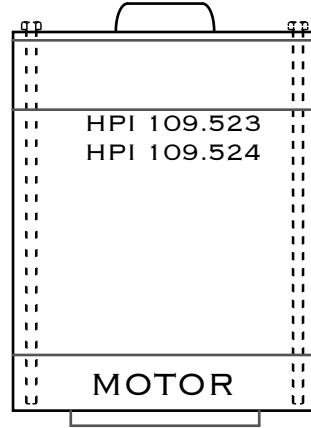
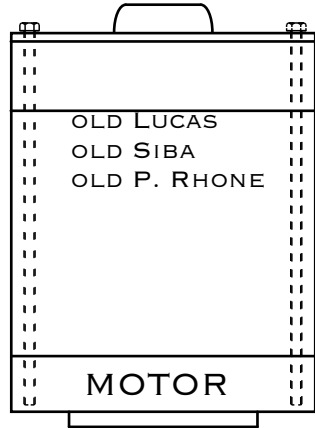
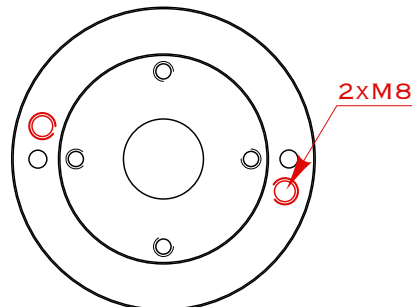


*with compliments of Bluetraction Repair BV Staff*

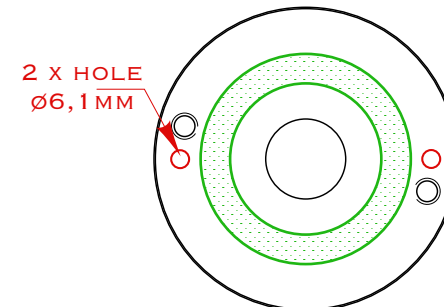
DEAR REPAIRER /CUSTOMER , PLEASE CHECK THE HERE UNDER DRAWING BEFORE PURCHASING AN REPLACEMENT ITEM. THANK YOU



FRONT MOTOR FLANGE



FRONT MOTOR FLANGE



FRONT MOTOR FLANGE

10  
9  
8  
7  
6  
5  
4  
3  
2  
1